

ORK7HO SERIES

Pressure Reducing Stations

ORK7HO Series Pressure Reducing Stations is most suitable for pipeline application where high flow gas is requested.

1/4" TO 1" BSP or NPT inlet –outlet pipe can be selectively used to this series.

The self-correction function of DROP built in this regulator enables to keep the P2 pressure (adjusted or setting pressure) stable and constant without impact from P1 if it faces big pressure differences at P1.

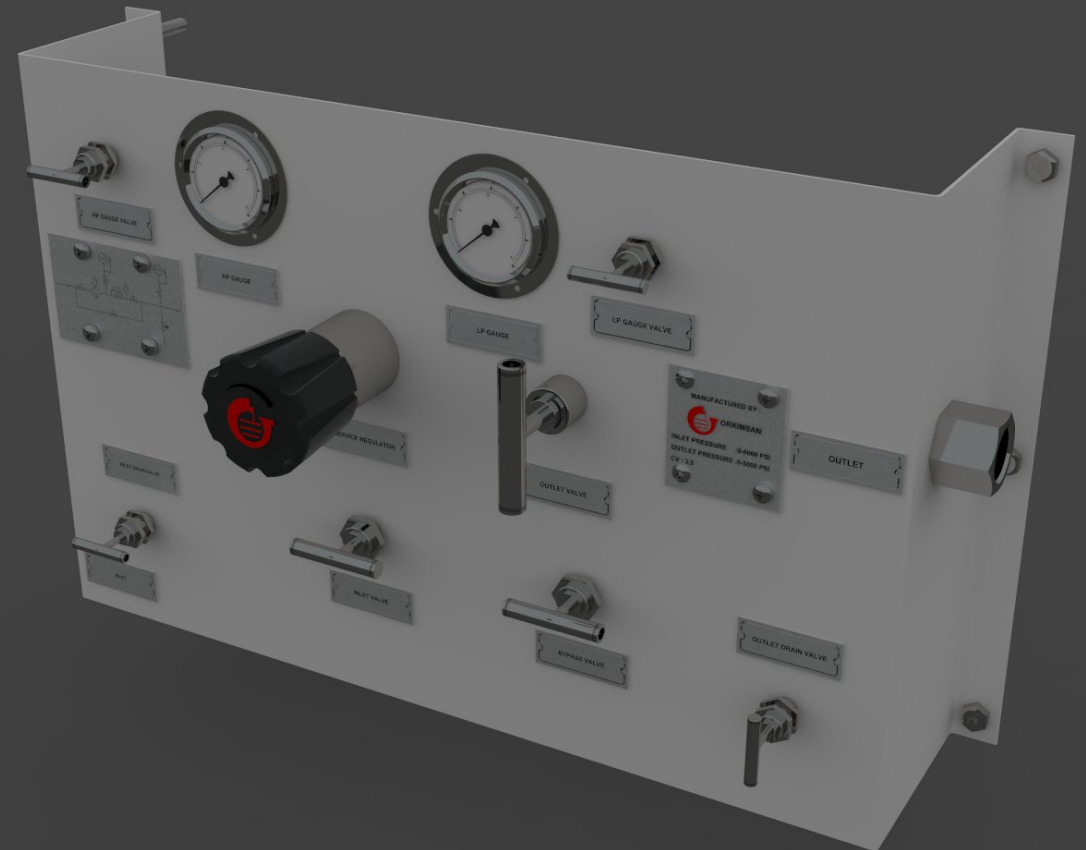
All system components and of course the regulator body and sintered filter elements are made of stainless steel 316L and has the wide range of inlet pressure up to 6000 psi (415 bar).
(Optional: Low cost 316L + Brass models available)

OUTLET PRESSURE RANGES

- 0-25bar (362psi)
- 0-50bar (725psi)
- 0-70bar (1000psi)
- 0-150bar (2100psi)
- 0-250bar (3600psi)
- 0-350bar (5000psi)

INLET FILTER RANGES

- 0,5 Micron
- 2 Micron
- 7 Micron
- 15 Micron
- 60 Micron
- 90 Micron



ORK7HO SERIES Pressure Reducing Stations



APPLICATIONS

- STARTING AIR
- COMPRESSED AIR SYSTEMS
- TANK BLANKETING
- NAVAL AIR SYSTEMS
- AIR PLANE STRUT CHARGING
- AEROSPACE HYDRAULIC SYSTEMS
- GAUGE CALIBRATION
- HIGH FLOW GAS APPLICATION
- HIGH PRESSURE GAS APPLICATION

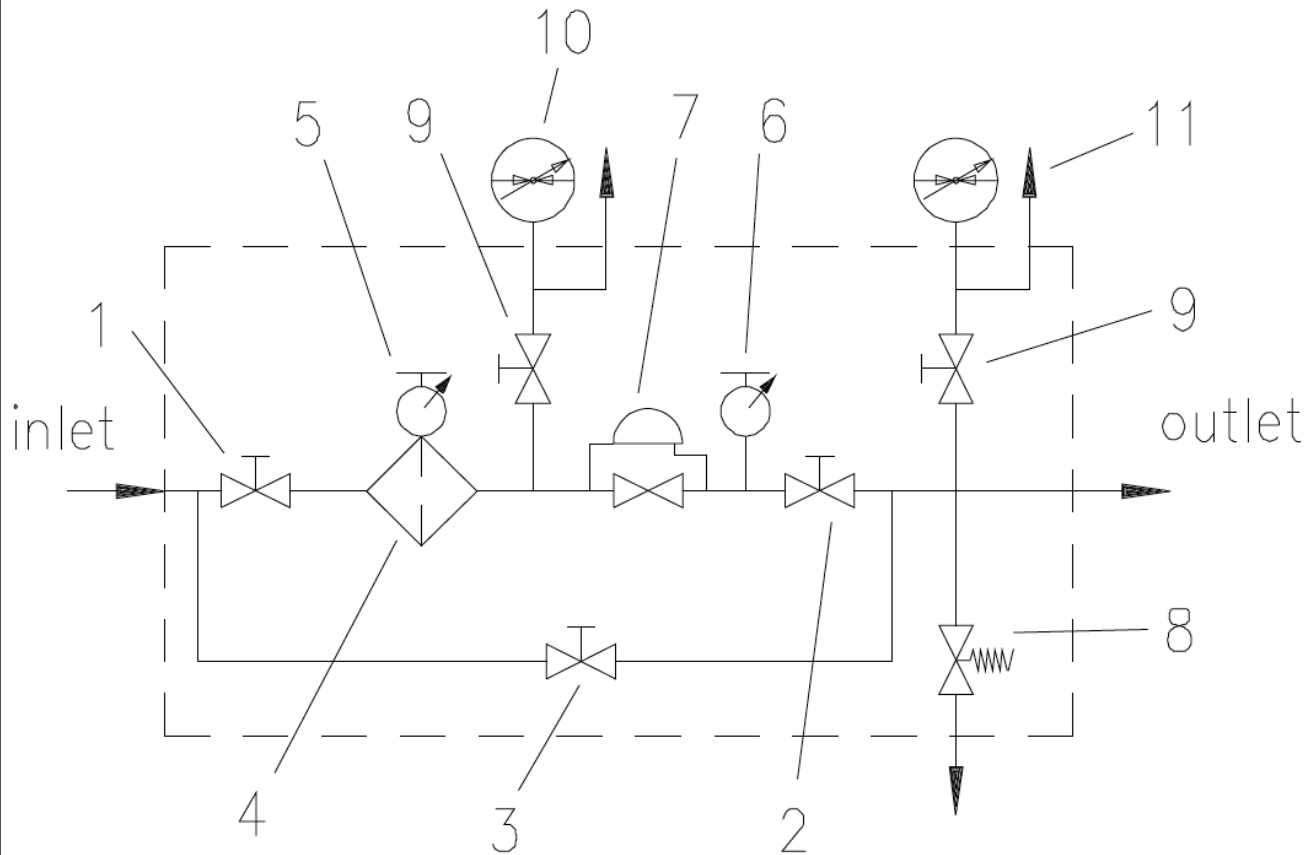
DIMENSION: L:670mm H:400 mm W:250mm

WEIGHT: 32 KG

ORKIMSAN reserve the right to change the dimensions and weight of the systems

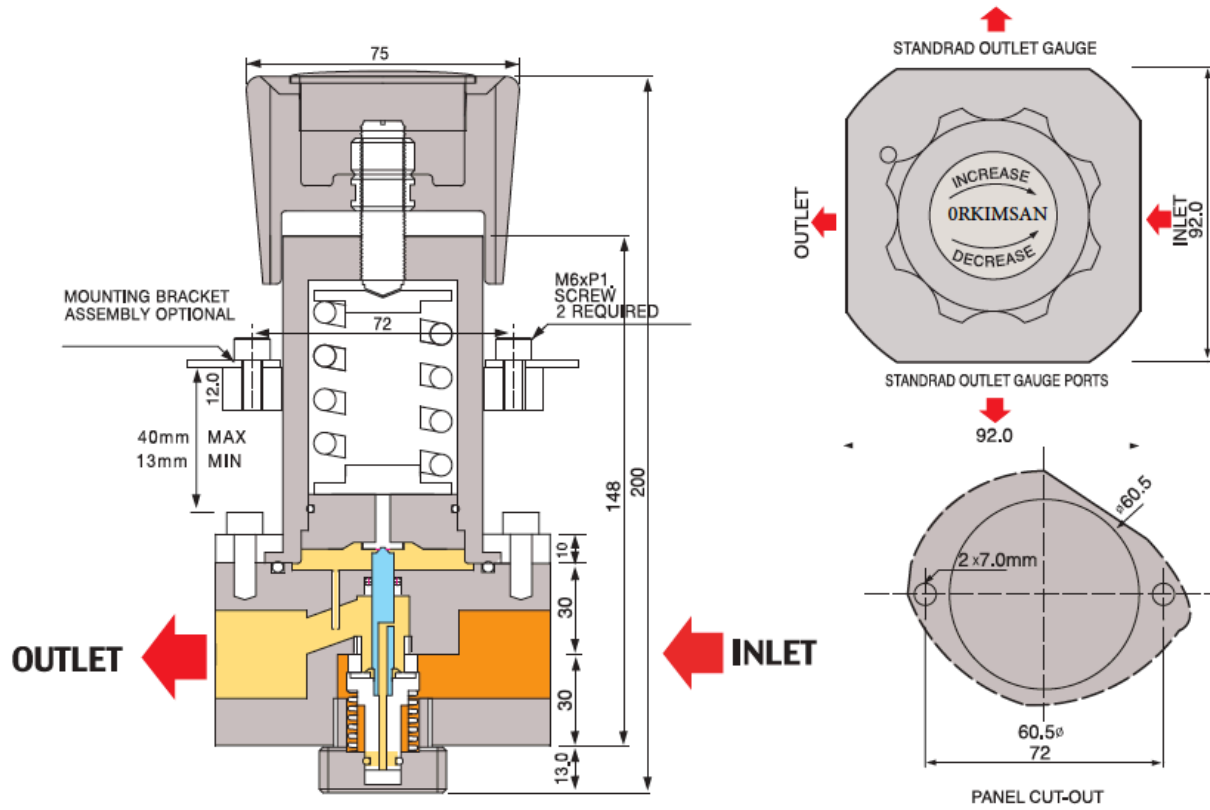
www.orkimsan.com

ORK7HO PRS P&ID

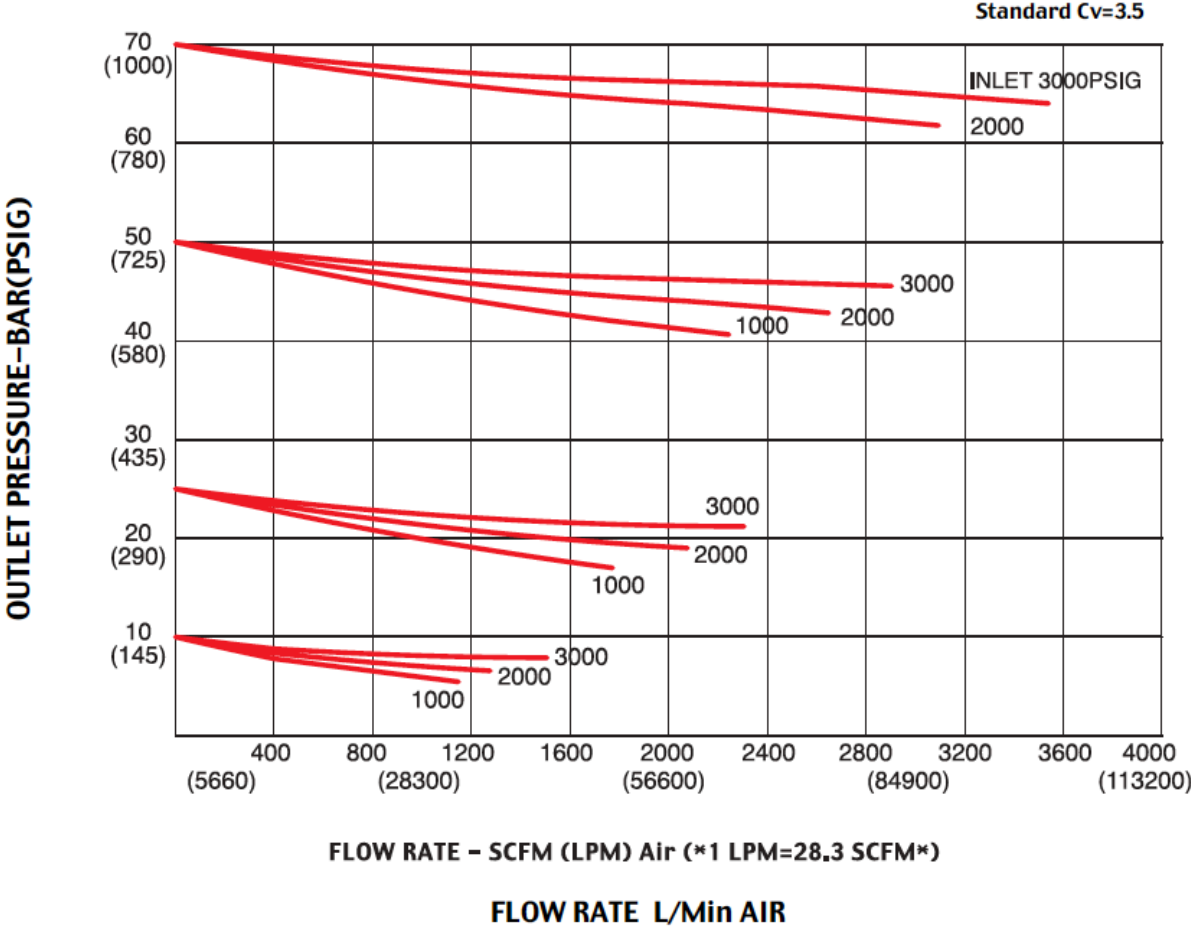


- 1:INLET STOP VALVE
- 2:OUTLET STOP VALVE
- 3:BYPASS STOP VALVE
- 4:FILTER
- 5:INLET DRAIN VALVE
- 6:OUTLET DRAIN VALVE
- 7:PRESSURE REGULATOR
- 8:RELIEF VALVE
- 9:GAUGE VALVE
- 10:INLET PRESSURE GAUGE
- 11:OUTLET PRESSURE GAUGE

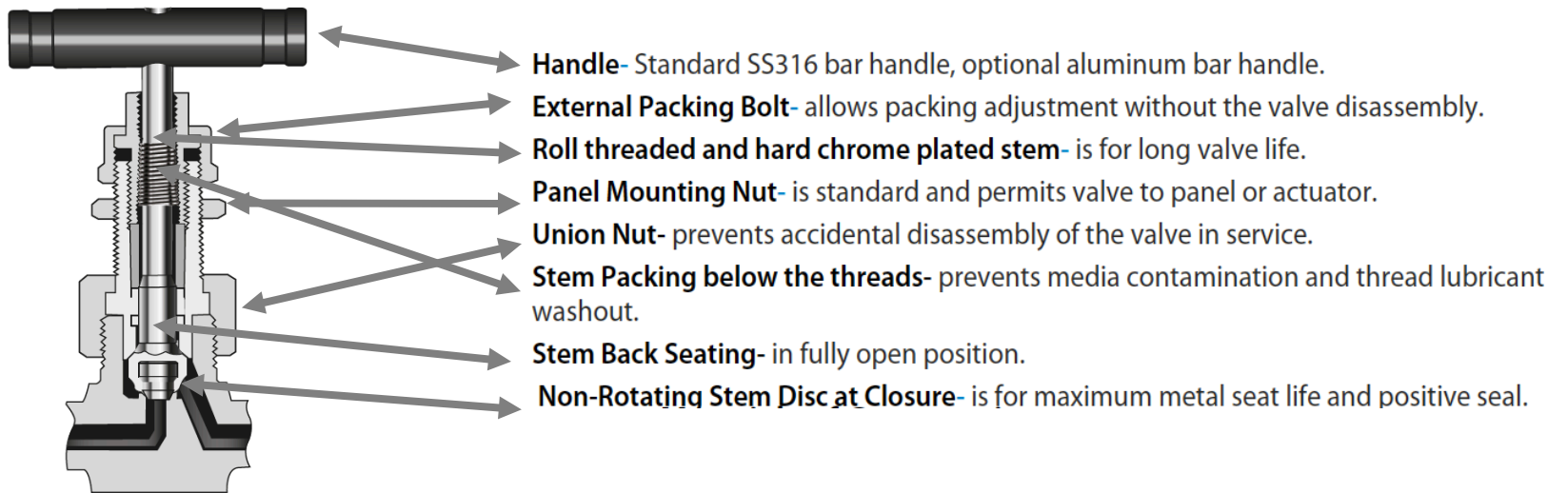
REGULATOR DETAILS



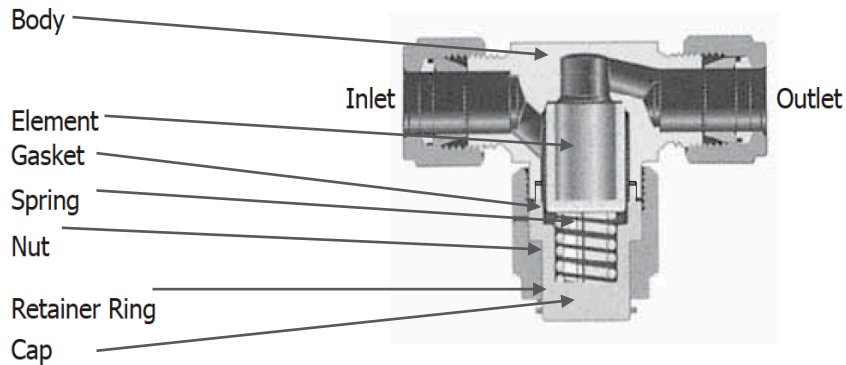
SYSTEM FLOW



VALVE DETAILS



FILTER DETAILS



- Filter Element replaceable with the valve in-line.
- Safety union bonnet design for high pressure rating
- Optional Bypass for sampling or purging of process fluid.
- Maximum working pressure 6,000 psig @100 °F(413 bar @38°C)

Materials of Construction

Component	V76 Series
Body	SS316 / A276
Nut	SS316 / A276
Cap	SS316 / A276
Retainer Ring	SS316 / A276
Element	SS316 (Sintered, Strainer)
Spring	SS302
Gasket	SS316 / A240 silver plated

Wetted components are listed in [blue](#).

Filtration Definition

- **Filter Element :**
The component within the filter which traps media contamination.
- **Filtration Area :**
The actual surface area of the filter element available to trap contamination.
- **Micron :**
A unit of measure to describe the mean pore diameter of the filter element or the mean particle diameter of media contamination.
One micron = 0.001mm or 0.00004 inch



ORKİMSAN
KİMYA SANAYİ TİCARET VE LİMİTED ŞİRKETİ

www.orkimsan.com
www.orkimsanmarine.com